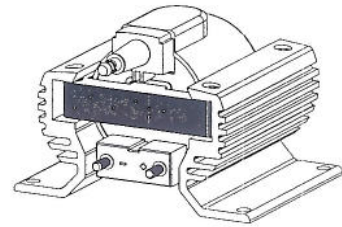


Flame-Thrower HC

Installation Instructions



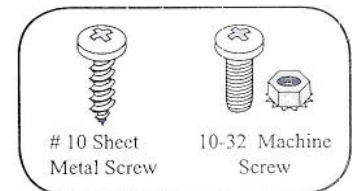
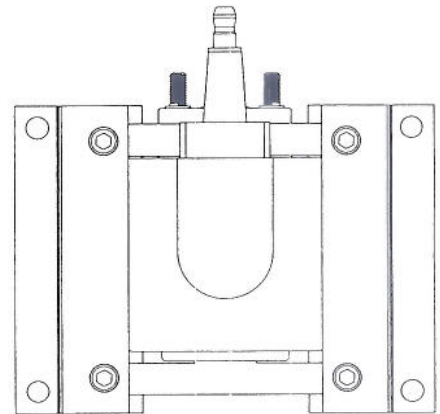
Part #	Ohms	Applications
60103	0.32	Ignitor III, Ignitor II, HEI, TFI, CD (with current limiting circuitry)

PARTS INCLUDED IN THIS PACKAGE:

1 coil	2 ring terminals
4 #10 sheet metal screws	1 coil wire boot
4 10-32 machine screws and nuts	1 coil wire terminal
2 10-32 coil terminal nuts	

MOUNTING THE COIL

1. Turn the ignition switch off and disconnect the battery negative cable.
2. Remove the coil high tension wire from the coil tower.
3. Label and remove all wires from the positive and negative coil terminals.
4. Remove the existing coil.
5. The Flame-Thrower HC coil can be mounted in a variety of positions and locations. Choose a flat location that is away from direct heat and mechanical linkage yet is relatively close to the distributor. Common locations would include a fenderwell or firewall.
6. Verify that the coil high tension and primary ignition wires reach the chosen mounting location.
7. Hold the coil in position and mark the four mounting hole points with a pen or transfer punch.
8. The Flame-Thrower HC coil comes with all the necessary hardware to securely mount it. Machine screws and kep nuts should be used when the back side of the mounting location is accessible. Use the sheet metal screws for blind mounting locations.
9. Before you begin drilling holes, check to be sure where you are drilling will not result in damage.
10. Blind mounting Flame-Thrower HC coil with sheet metal screws is simple. Each screw has a self tapping point. Using a power driver, position the screw onto each of the marked points and tighten the coil into place.
11. When mounting the coil with the machine screws, use a 1/4" bit to drill a hole in each of the mounting points. Apply a drop of thread lock to each the screw threads and install the provided kep nuts. Tighten the coil into place.



ATTACHING THE WIRES

1. Route the coil high tension wire from the distributor to the coil. The coil wire should positively snap onto the coil terminal. If your coil wire has the incorrect terminal end, replace it with the provided terminal and boot. (See Step #4)
2. Connect all of the wires that were removed from the negative coil terminal of the old coil to the negative terminal of the Flame-Thrower HC coil. If necessary, use the provided new ring terminals.
3. Connect the wires that were removed from the positive coil terminal of the old coil to the positive terminal of the Flame-Thrower HC coil. If necessary, use the provided new ring terminals.
4. If the coil wire has a male style terminal, you will need to replace it with the provided female terminal. Follow these steps:

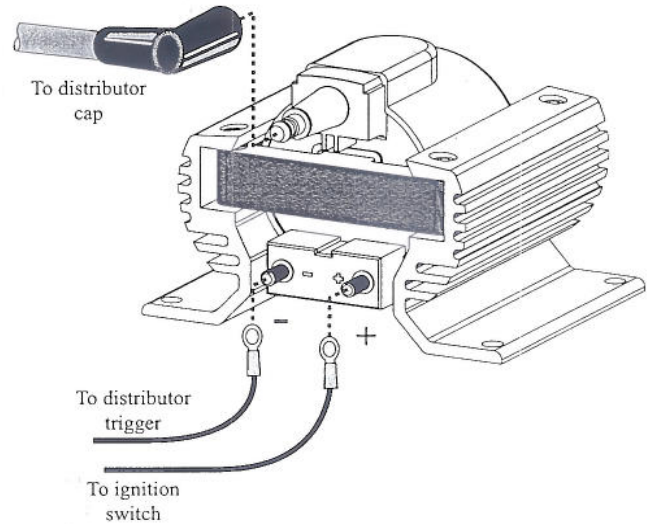
- A. Strip 3/4" of the insulation to expose the conductor. Be extra careful not to cut or damage the core.



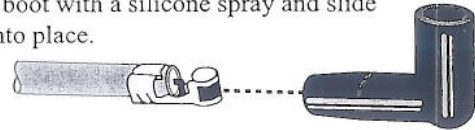
- B. Fold the conductor back onto the wire.



- C. Slide the terminal into place.



- D. Crimp the terminal into place with an ignition wire crimping tool. Apply a small amount of dielectric grease to the terminal. Spray the inside of the boot with a silicone spray and slide it into place.



FINAL CHECKS

1. Check all connections for correctness.
2. Re-attach the battery if disconnected.
3. In performance applications, the spark gap may be increased to take advantage of the extra energy, produced by the Flame-Thrower HC coil. Since PerTronix cannot test every configuration, the end user must determine what spark plug gap works best for their application.

LIMITED WARRANTY

PerTronix, Inc. warrants to the original Purchaser of its Flame-Thrower products that the product shall be free from defects in material and workmanship (normal wear and tear excluded) for a period of 90 days from the date of purchase. If within the period of the foregoing warranty PerTronix finds, after inspection, that the product or any component thereof is defective, PerTronix will, at its option, repair such products or component or replace them with identical or similar parts PROVIDED that within such period Purchaser:

1. Promptly notifies PerTronix, in writing, of such defects.
2. Delivers the defective products product or component to PerTronix (Attn: warranty) with proof of purchase date; and
3. Has installed and used the product in a normal and proper manner, consistent with PerTronix printed instructions

THE FOREGOING LIMITED WARRANTY IS EXCLUSIVE AND IN LIEU OF ALL OTHER WARRANTIES, WHETHER EXPRESS OR IMPLIED, INCLUDING ANY IMPLIED WARRANTY OR MERCHANTABILITY OR FITNESS FOR A PARTICULAR PURPOSE.

THE FURNISHING OF A REPAIR OR REPLACEMENT COMPONENT OR COMPONENTS SHALL CONSTITUTE THE SOLE REMEDY OF PURCHASER AND THE SOLE LIABILITY OF PerTronix WHETHER ON WARRANTY, CONTRACT OR FOR NEGLIGENCE, AND IN NO EVENT WILL PerTronix BE LIABLE FOR MONEY DAMAGES WHETHER DIRECT OR CONSEQUENTIAL.

